

CLICK ROLL CAP SYSTEM

Three additional system components

System components are available to optimise installation of RHEINZINK's eye-catching Click Roll Cap System for roofing: The earlier wooden rail plus clips and continuous cleats between the panels has now been replaced by the RHEINZINK-Click Roll Cap fastener, which is mounted on the substructure. The realisation of demanding solutions for eaves and ridges is also greatly facilitated by the eaves/ridge termination cap.

Perfectly fitting components

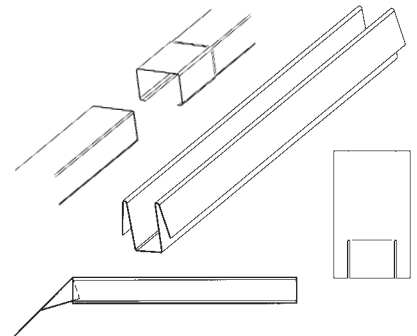
Reduced requirement for tools or machines

Time-saving surface assembly

Rainproof longitudinally seamed joint with a min. pitch of 3°

Wooden rail replacement plus clips with Click roll cap fastener

Panel lengths up to 25 m





Prepared ridge termination with RHEINZINK-Click Roll Cap fastener



Prepared eaves termination with RHEINZINK-Click Roll Cap fastener



Securing cap to prevent slipping

The RHEINZINK-Click Roll Cap System

The strip system is seen as the most traditional metal covering technique still in use today. With the RHEINZINK-Click Roll Cap System, panels and caps can be produced ex works up to a length of 6 m in a single process. For longer sections mobile roll shapers are available for hire. The RHEINZINK-Click Roll Cap is also available in the standard length of 3 m. The system is suitable for roof pitches of min. 3° without any need for additional sealing. When subject to higher requirements, structured underlay or weather/rain-proof subcoverings are essential.

Coordinated System Technology

In the past the traditional strip system with a wooden rail underwent constant optimisation. Nowadays the RHEINZINK-Click Roll Cap System consists of a roll cap fastener designed to transfer system loads to the substructure. The fastener is designed to secure the roll cap panels and hold the roll cap in place. At the lower end the roll cap flares out to allow the individual caps to overlap slightly. In conjunction with the factory pre-finished ridge and eaves termination this means that assembly has been significantly streamlined with the RHEINZINK-Click Roll Cap fastener.

Simple installation

After dividing up the roof areas, the roll cap panels are laid out over them, spaced at approx. 50 mm. The RHEINZINK-Click Roll Cap fastener is attached to the substructure using at least two screws. The roll caps are then directly snapped into the click roll cap fasteners.

The bottom of the fastener is equipped with holes to cater for a wide range of applications. The number of clips depends on the structural requirements: RHEINZINK can advise here.

Functional Reliability

The RHEINZINK-Click Roll Cap fastener ensures free movement of the panels with linear expansion due to temperature changes. This means that panel lengths of up to 20 m are possible without any problem. Secure fixing is ensured for example by cutting into the panel turn under and bending onto the fastener. The special benefits of the RHEINZINK-Click Roll Cap fastener are especially apparent in the case of non-ventilated roof structures with on-roof insulation: It is particularly cost-effective here as this system requires fewer fastening rails per insulation board than with other types of seaming.

Innovative Elements of the RHEINZINK-Click Roll Cap System

Description	Length mm	Thickness mm
Click roll cap fastener (galvanised steel), 5 fixing holes	500	1,00
Ridge termination cap	167	0,70
Eaves termination cap for roof and wall	500	0,80
Click roll cap, straight, nominal size 152	3000	0,80

Note:

The SM-SL "RZ" snow guard clamp available from SM-Systeme, 71634 Ludwigsburg, Germany, has been specially designed for the RHEINZINK-Click Roll Cap System.

For nominal sizes and surface qualities please see our delivery programme or www.rheinzink.de/Dachentwässerung.